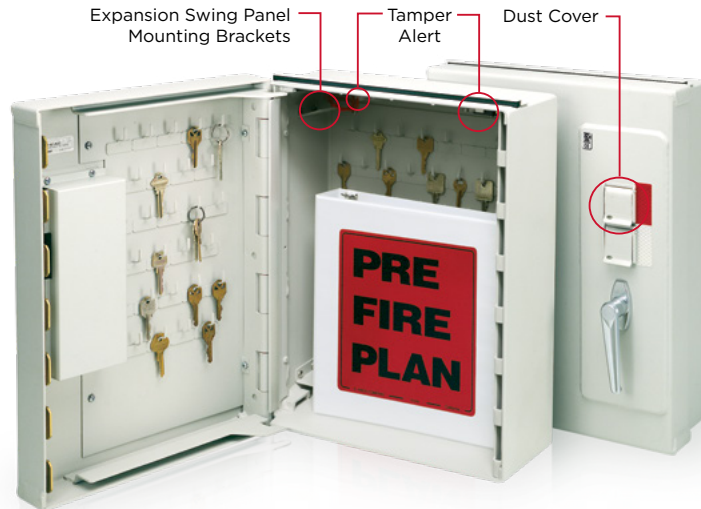


Your Knox Document Cabinet is the finest utility vault available. To fully utilize its built-in security features, we recommend that reasonable care be given to the location and method of mounting.



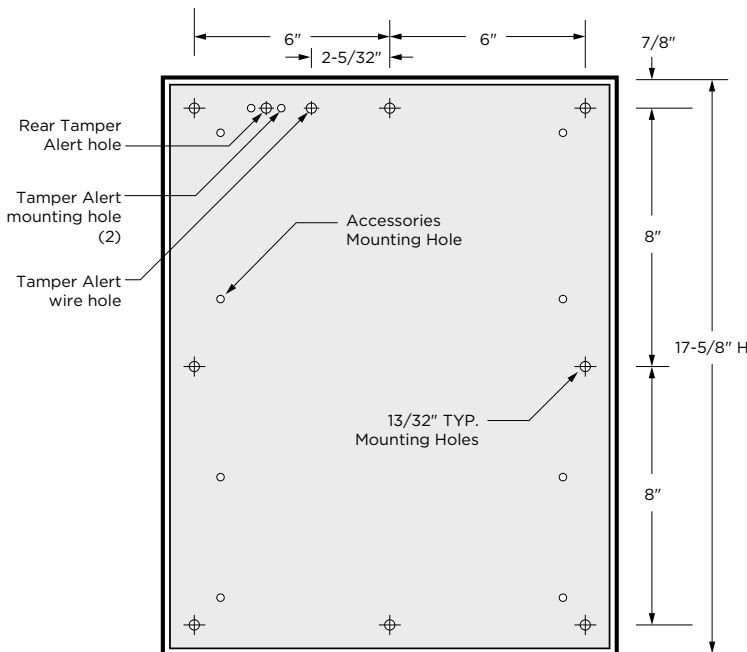
Each Knox Document Cabinet is coated with a tough TGIC powder coating and includes a 1/8" thick stainless steel dust cover to protect the lock. It is always best, however, to locate the unit in an area which is sheltered from moisture and possible mechanical damage.

The Knox Document Cabinet itself is an inherently strong cabinet, but proper mounting is important to achieve desired security.

Knox Document Cabinets are fully tested and listed by Underwriters Laboratories as anti-theft devices.

GENERAL MOUNTING INSTRUCTIONS

- CAUTION!** Be extremely careful when handling the Knox Document Cabinet prior to installation. When not mounted, the door will be OPEN. Always hold box and door securely to prevent door closing on fingers and causing injury.
Tamper Alert: If your Knox Document Cabinet has the Tamper Alert feature, remove the rear Tamper Alert and set aside for installation after the cabinet is mounted.
- Always mount your Knox Document Cabinet to a secure solid wall. The Knox Document Cabinet should never be mounted with the door facing up.
- Use a small level to plumb the box square.
- Use at least eight (8) mounting fasteners (Grade 8 bolts) of 5/16" diameter. Units may also be welded into place. For best security, bolts should go through a solid wall with large washers on the opposite side.
- We strongly recommend that all Tamper Alert connections and adjustments be carried out by a qualified alarm technician.



Front View of Back Plate

ATTENTION:

Installation of this product should be performed only by individuals skilled in the use of the tools and equipment necessary for installation. If you have any doubt concerning your competence or expertise, consult a qualified expert to perform the installation.

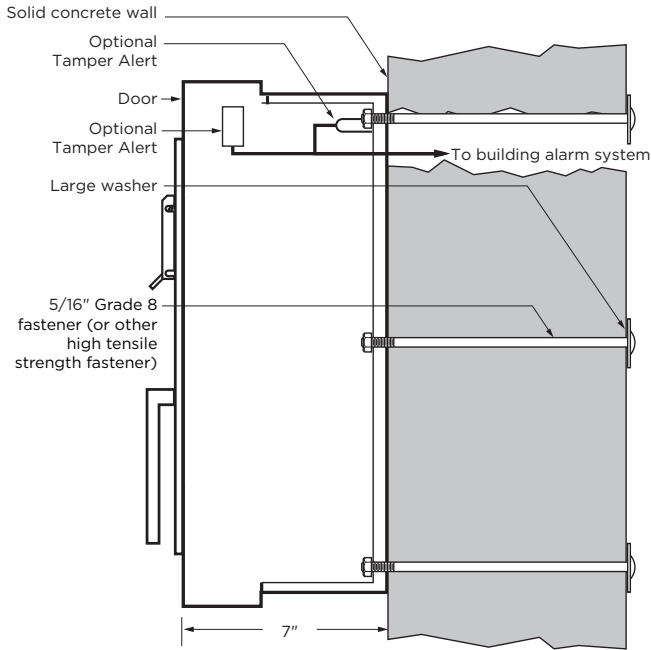
MOUNTING THE KNOX DOCUMENT CABINET

The Knox Document Cabinets have eight (8) pre-drilled mounting holes in the back side, each 5/16" in diameter. Outside dimensions of the unit are 14-1/2" W x 18" H x 7" D; the door swings 15" to the left.

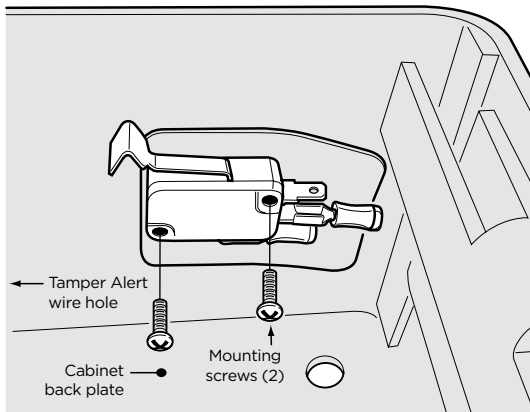
When mounting Knox Document Cabinet to wall, check to see that rear "Cabinet-to-Wall" Tamper Alert plunger is depressed at least 3/16" and is activated. The Tamper Alert is rated at 36 VDC, at 50 mA.

Door handle is equipped with a unique clutch device which disengages when the handle is forced while the door is locked.

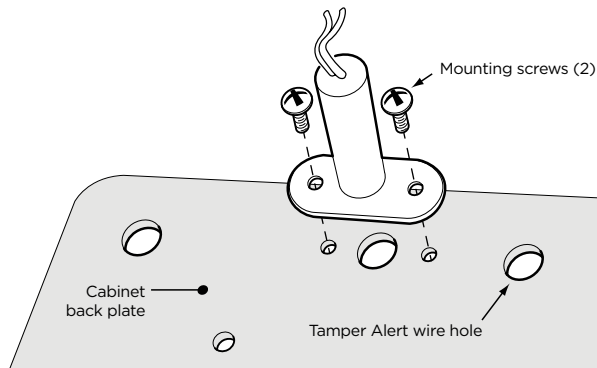
Two (2) holes in the lock dust cover enable it to accept a numbered security seal to indicate when the lock cover has been opened. Each time the lock cover is opened, the seal is broken and a new seal must be inserted. Standard security precautions will require that persons opening the cabinet sign their name in a log book inside the cabinet, indicating the number of the old and the new seal. Seals may be obtained from the Knox Company.



Mounting Illustration



Door Tamper Alert – Upper Right Inside Corner



Rear Tamper Alert – Upper Left Inside Corner

CABINET LOCKUP:

When mounting of the Knox Document Cabinet is complete, contact your local fire department to inform them the cabinet is ready for lock up. **They have the only key to lock the cabinet.**

For private, industrial or commercial use:
Keys will be sent separately to address requested.



All Knox Document Cabinet units are fully tested and listed by Underwriters Laboratories as anti-theft devices. Alarm Tamper Alert switches are UL listed as Central Station Alarm Units. UL Electrical Range: Max Voltage of 36 VDC at 50 mA.

- UL 437 Standard for Safety for Key Locks
- UL 1037 Antitheft Alarms and Devices
- UL 1610 Central Station Alarm Units